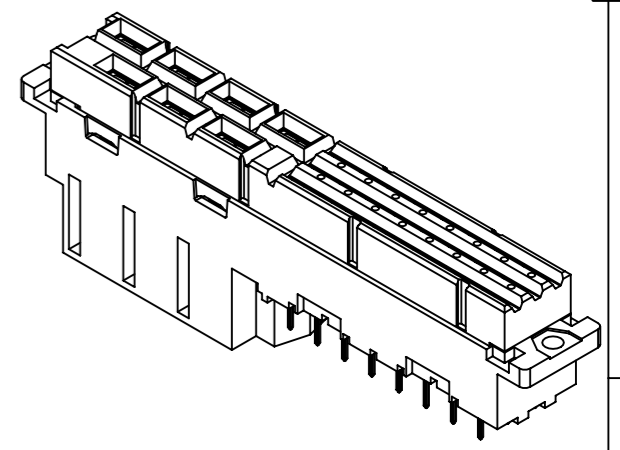
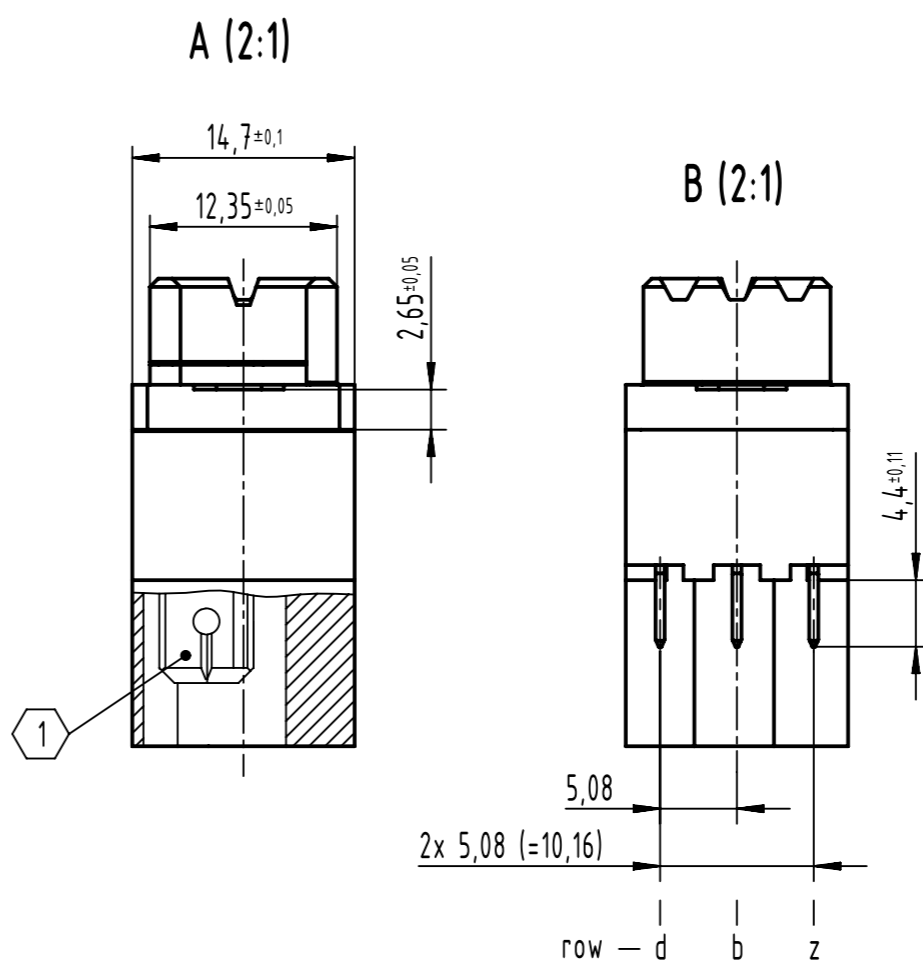


7 H faston across - contacts
 ☒ = position with contacts
 □ = position without contacts
 24 F solder - contacts
 ■ = position with contacts
 □ = position without contacts



1 for faston 6,3x0,8 female contact acc. to DIN 46245 and DIN 46247
 H-contact plating Ag
 further information see product data sheet

09 06 231 6822	2
09 06 231 2822	1
part no.	performance level

	All Dimensions in mm Original Size DIN A3		Scale 1:1	Free size tol. complementary IEC 60603-2		Ref. Sub. TB 09 06 231 x822 / Mod. 33861 / 17.08.2006	
	All rights reserved Department EL PD		Created by STORCK	Inspected by LEHNERT	Standardisation SAP_WFRT	Date 2022-03-08	State Final Release
HARTING D-32339 Espelkamp		Title DIN Power type MH female F solder and H faston across				Doc-Key / ECM-Nr. 100216501/UGD/007/B 500000213301	
		Type TB	Number 0906231X822		Rev. B	Page 1/1	